

PROMAC

LED LUMINAIRES

KUB8-600w

A heavy-duty, multipurpose LED panel designed for floodlighting and spotlighting applications. Available with a range of power supply, optic and colour temperature options to precisely suit your requirements. Recommended for installation on lighting towers, mobile plant, buildings, processing plant and equipment or pole mount for area lighting. IP66 rated and guaranteed for three years, KUB8 is fully serviceable if damaged to keep maintenance costs to a minimum.



3 year warranty

Every fixture is backed by full factory warranty, covering every part against manufacturing defects and guaranteeing performance.



Fully serviceable

Each component can be repaired or replaced separately in the case of damage or failure, keeping your maintenance costs down.



Energy efficient

Typical energy consumption reduced by 75% when compared to HID or metal halide fixtures. 50,000 hour expected life reduces replacement rates and maintenance costs.



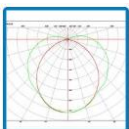
Colour temperatures

Different lighting applications call for either warmer or cooler colour temperatures. Fixtures can be supplied in 2700K, 3000K, 4500K or 5500K.



IP66 rated

Heavy-duty design for demanding applications – impact resistant, IP66 rated against water-dust ingress and temperature



Multiple power & lens options

Choose from 240v AC, 48vDC or 12v DC to suit mains power installations, mobile plant or vehicle installation. Beam type can be modified with replacement lenses.

KUB8-600w floodlight directly replaces 1500w metal halide fixtures



INTERNATIONAL OFFICE

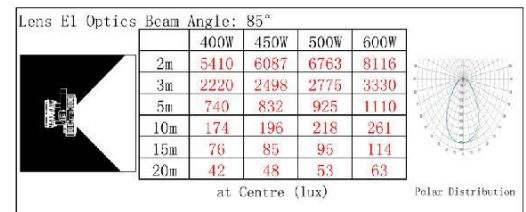
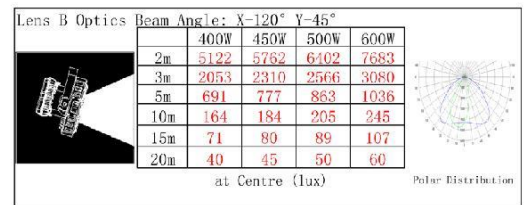
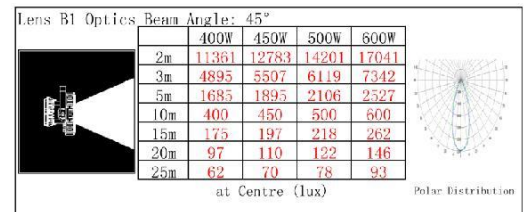
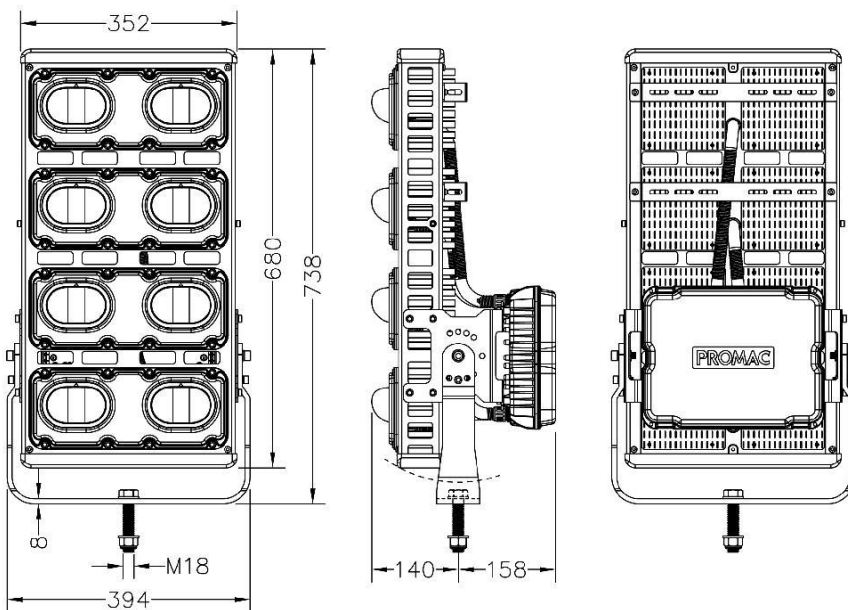
A: 60 Kumall Road, Welshpool WA 6106 | T: +61 8 6254 1800
E: sales@promacinternational.com | W: www.promacinternational.com



www.promacinternational.com

TECHNICAL SPECIFICATIONS

Model	KUB8-600-AC MLED	Luminous Flux	≥ 66000LM
Rated power	620W (±5%)	Standard Colour Temp.	4500K
Operating voltage (Freq.)	AC 95~265v, 50/60Hz	Life Expectancy	50,000 hours+
Input Current	2.6A		(@ 70% original light output)
Power factor	0.8	Warranty	3 years warranty
Protection standard	IP67	Dimensions (mm)	738 x 394 x 298
Operating temperature	-20°C to 40°C	Mount height (m)	≥7m
LED	MICROPLUS LED (110~120Lm/w)	Lens beam	Rectangular beam X=110° Y=50°
	80W(±5%), x 8 pcs, 30~36Vdc	Weight (kg)	20.5
Driver Brand	CLG-150 x 4pc		



CERTIFICATION

SAA certification
AS/NZS IEC 61347.2.13:2013
Lamp control gear - Particular requirements for DC. or AC supplied electronic control gear for LED modules (IEC 61347-2-13, Ed.1.0 (2006) MOD)

AS/NZS 60598.2.5:2002
Luminaires - Particular requirements - Floodlights (IEC 60598.2.5:1998, MOD)

Specification subject to change

In keeping with our policy of continuous improvement, PROMAC reserves the right to modify our designs and specifications at any time, without notice.



Certified for use in EU countries



ACMA technical standards compliant



ISO 9001 Production Management Systems



No harmful substances



RoHS 2002/95/EC

INTERNATIONAL OFFICE

A: 60 Kumall Road, Welshpool WA 6106 | T: +61 8 6254 1800
E: sales@promacinternational.com | W: www.promacinternational.com



www.promacinternational.com