

# PROMAC

## LED LUMINAIRES

## KUB6-500w

A heavy-duty, multipurpose LED panel designed for floodlighting and spotlighting applications. Available with a range of power supply, optic and colour temperature options to precisely suit your requirements. Recommended for installation on lighting towers, mobile plant, buildings, processing plant and equipment or pole mount for area lighting. IP66 rated and guaranteed for five years in fixed installations, KUB6 is fully serviceable if damaged to keep maintenance costs to a minimum.



### 5 year warranty

Every fixture is backed by full factory warranty, covering every part against manufacturing defects and guaranteeing performance.



### Fully serviceable

Each component can be repaired or replaced separately in the case of damage or failure, keeping your maintenance costs down.



### Energy efficient

Typical energy consumption reduced by 75% when compared to HID or metal halide fixtures. 50,000 hour expected life reduces replacement rates and maintenance costs.



### Colour temperatures

Different lighting applications call for either warmer or cooler colour temperatures. Fixtures can be supplied in 2700K, 3000K, 4500K or 5500K.



### IP66 rated

Heavy-duty design for demanding applications – impact resistant, IP66 rated against water-dust ingress and temperature



### Multiple power & lens options

Choose from 240v AC, 48vDC or 12v DC to suit mains power installations, mobile plant or vehicle installation. Beam type can be modified with replacement lenses.

KUB6-500w floodlight as fitted to Prolite 3000w LED lighting towers



#### INTERNATIONAL OFFICE

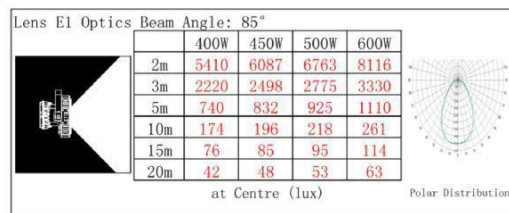
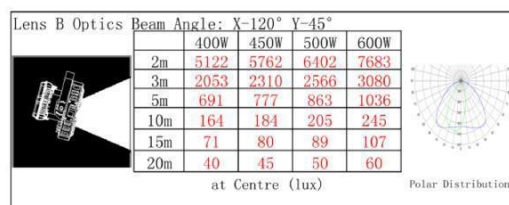
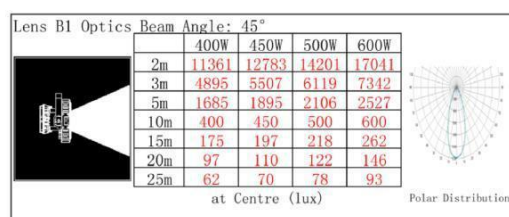
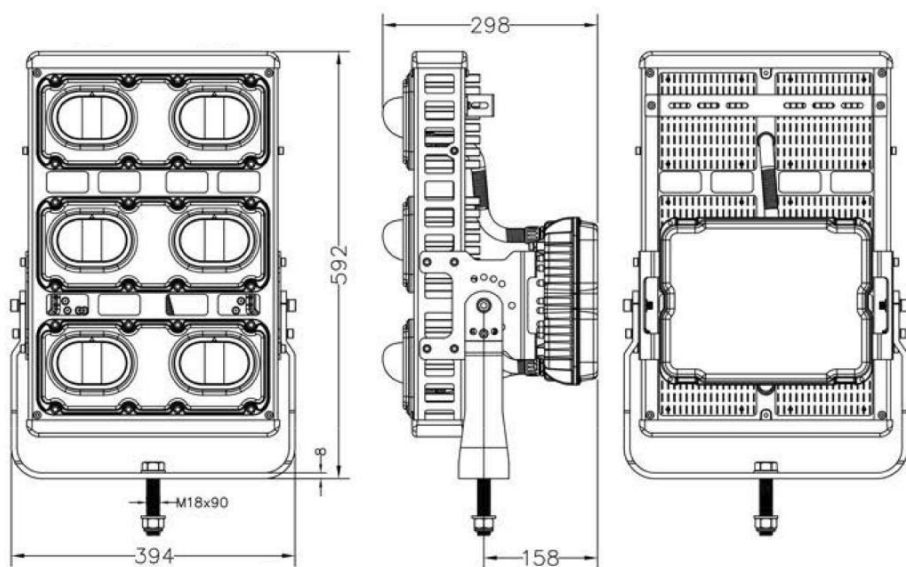
A: 60 Kumall Road, Welshpool WA 6106 | T: +61 8 6254 1800  
E: sales@promacinternational.com | W: www.promacinternational.com



www.promacinternational.com

# TECHNICAL SPECIFICATIONS

Model	KUB6-500-AC MLED		
Rated power	500W (±5%)	Luminous Flux	≥ 55000LM
Operating voltage (Freq.)	AC 95~265v, 50/60Hz	Standard Colour Temp.	4500K
Input Current	2.3A	Life Expectancy	50,000 hours+ (@ 70% original light output)
Power factor	0.9	Warranty	5 years warranty
Protection standard	IP67	Dimensions (mm)	412 x 592 x 298
Operating temperature	-20°C to 40°C	Mount height (m)	≥7m
LED	MICROPLUS LED (110~120Lm/w) 80W(±5%), x 6pcs, 30~36Vdc	Lens beam	Rectangular beam X=110° Y=50°
Driver Brand	Meanwell HLG-240 x 2pcs; CLG-150 x 1pc	Weight (kg)	18.5



## CERTIFICATION

### SAA certification

AS/NZS IEC 61347.2.13:2013

Lamp control gear - Particular requirements for DC. or AC supplied electronic control gear for LED modules (IEC 61347-2-13, Ed.1.0 (2006) MOD)

### AS/NZS 60598.2.5:2002

Luminaires - Particular requirements - Floodlights (IEC 60598.2.5:1998, MOD)



Certified for use in EU countries



ACMA technical standards compliant



ISO 9001 Production Management Systems



No harmful substances

### Specification subject to change

In keeping with our policy of continuous improvement, PROMAC reserves the right to modify our designs and specifications at any time, without notice.

### INTERNATIONAL OFFICE

A: 60 Kurnall Road, Welshpool WA 6106 | T: +61 8 6254 1800  
E: sales@promacinternational.com | W: www.promacinternational.com



www.promacinternational.com