

PROMAC

LED LUMINAIRES

KUB4-500w

A heavy-duty, multipurpose LED panel designed for floodlighting and spotlighting applications. Available with a range of power supply, optic and colour temperature options to precisely suit your requirements. Recommended for installation on lighting towers, mobile plant, buildings, processing plant and equipment or pole mount for area lighting. IP67 rated and guaranteed for five years on fixed installations, KUB4 is fully serviceable if damaged.



5 year warranty

Every fixture is backed by full factory warranty, covering every part against manufacturing defects and guaranteeing performance.



Fully serviceable

Each component can be repaired or replaced separately in the case of damage or failure, keeping your maintenance costs down.



Energy efficient

Typical energy consumption reduced by 60% when compared to HID or metal halide fixtures. 50,000 hour expected life reduces replacement rates and maintenance costs.



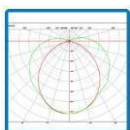
Colour temperatures

Different lighting applications call for either warmer or cooler colour temperatures. Fixtures can be supplied in 2700K, 3000K, 4500K or 5500K.



IP67 rated

Heavy-duty design for demanding applications – impact resistant, IP67 rated against water-dust ingress and temperature



Multiple power & lens options

Choose from 240v AC, 48vDC or 12v DC to suit mains power installations, mobile plant or vehicle installation. Beam type can be modified with replacement lenses.

KUB4-500w floodlight as fitted to metal halide 'LED retrofit' lighting towers



INTERNATIONAL OFFICE

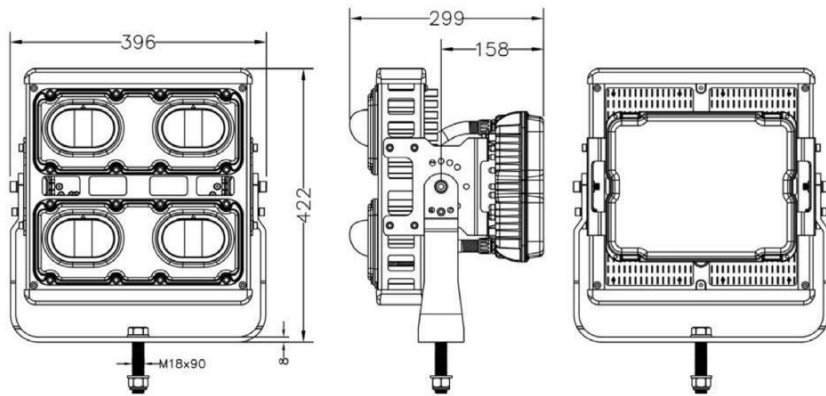
A: 60 Kumall Road, Welshpool WA 6106 | T: +61 8 6254 1800
E: sales@promacinternational.com | W: www.promacinternational.com



www.promacinternational.com

TECHNICAL SPECIFICATIONS

Model	KUB4-C500-AC240 LED		
Rated power	500W (±5%)	Protection standard	IP67
Operating voltage (Freq.)	AC 95~265V, 50/60Hz	Standard Colour Temp.	5000K
Input Current	5.26A~1.88A 2.08A (240VAC inupt)	Life Expectancy	LM70 @ 50,000 hours
Power factor	>0.9 (AC)	Warranty	Up to 5 years warranty
Luminous Flux	57,500~60,000LM	Dimensions (mm)	412 x 394 x 299
Performance measured @	-30°C to +50°C	Mount height (m)	≥7m
LED	CITIZEN LED	Lens	B B1
	120W(±5%), x4pcs, 50~54Vdc	Weight (kg)	14.8
Driver Brand	HLG-240H x 2pcs		



Lens B1 Optics Beam Angle: 45°

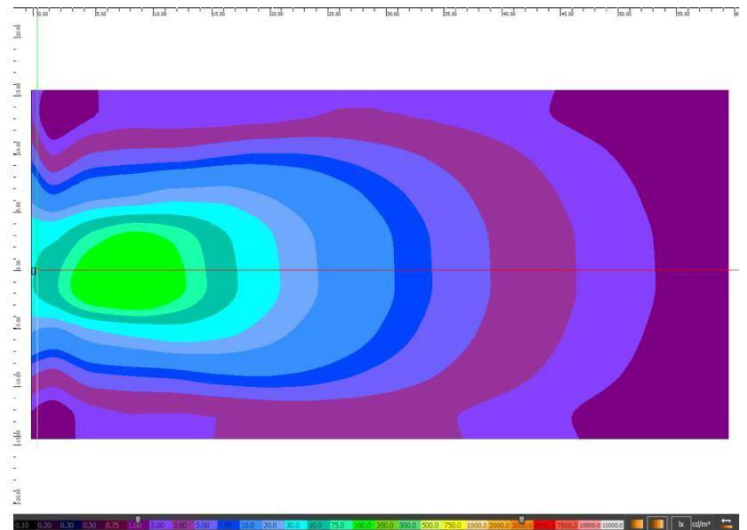
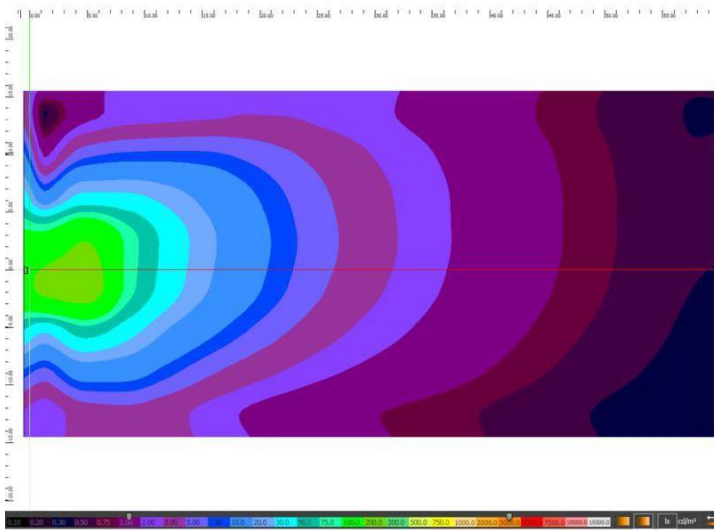
	400W	450W	500W	600W
2m	11361	12783	14201	17041
3m	4895	5507	6119	7342
5m	1685	1895	2106	2527
10m	400	450	500	600
15m	175	197	218	262
20m	97	110	122	146
25m	62	70	78	93

at Centre (lux)

Lens B Optics Beam Angle: X-120° Y-45°

	400W	450W	500W	600W
2m	5122	5762	6402	7683
3m	2053	2310	2566	3080
5m	691	777	863	1036
10m	164	184	205	245
15m	71	80	89	107
20m	40	45	50	60

at Centre (lux)



CERTIFICATION

SAA certification
 AS/NZS IEC 61347.2.13:2013
 Lamp control gear - Particular requirements for DC. or
 AC supplied electronic control gear for LED modules (IEC 61347-2-13, Ed.1.0 (2006) MOD)

AS/NZS 60598.2.5:2002
 Luminaires - Particular requirements - Floodlights (IEC 60598.2.5:1998, MOD)



Certified for use
in EU countries

ACMA
compliant

Production
Management

No harmful
substances

Specification subject to change

In keeping with our policy of continuous improvement, PROMAC reserves the right to modify our designs and specifications at any time, without notice.

INTERNATIONAL OFFICE

A: 60 Kurnall Road, Welshpool WA 6106 | T: +61 8 6254 1800
 E: sales@promacinternational.com | W: www.promacinternational.com



www.promacinternational.com