

PROMAC

LED LUMINAIRES

KUB4-400w

A heavy-duty, multipurpose LED panel designed for floodlighting and spotlighting applications. Available with a range of power supply, optic and colour temperature options to precisely suit your requirements. Recommended for installation on lighting towers, mobile plant, buildings, processing plant and equipment or pole mount for area lighting. IP66 rated and guaranteed for five years on fixed installations, KUB4 is fully serviceable if damaged.



5 year warranty

Every fixture is backed by full factory warranty, covering every part against manufacturing defects and guaranteeing performance.



Fully serviceable

Each component can be repaired or replaced separately in the case of damage or failure, keeping your maintenance costs down.



Energy efficient

Typical energy consumption reduced by 75% when compared to HID or metal halide fixtures. 50,000 hour expected life reduces replacement rates and maintenance costs.



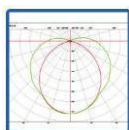
Colour temperatures

Different lighting applications call for either warmer or cooler colour temperatures. Fixtures can be supplied in 2700K, 3000K, 4500K or 5500K.



IP66 rated

Heavy-duty design for demanding applications – impact resistant, IP66 rated against water-dust ingress and temperature



Multiple power & lens options

Choose from 240v AC, 48vDC or 12v DC to suit mains power installations, mobile plant or vehicle installation. Beam type can be modified with replacement lenses.

KUB4-400w floodlight as fitted to Prolite LED lighting towers



INTERNATIONAL OFFICE

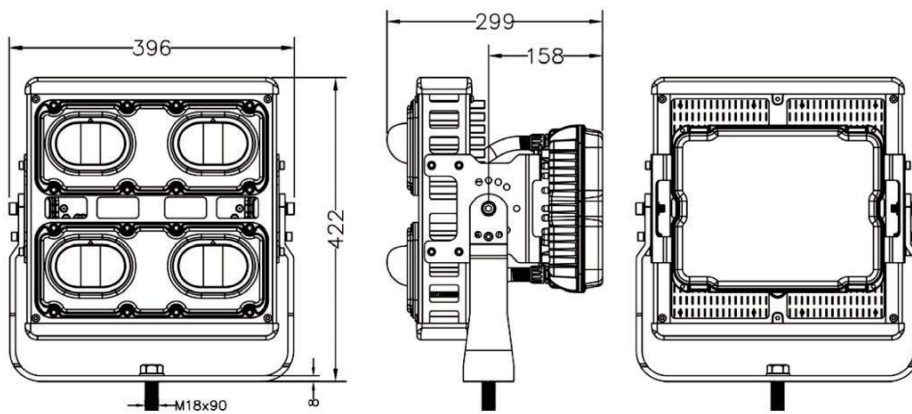
A: 60 Kurnall Road, Welshpool WA 6106 | T: +61 8 6254 1800
E: sales@promacinternational.com | W: www.promacinternational.com



www.promacinternational.com

Technical specifications

| Model | KUB4-400-AC MLED | KUB4-400-DC MLED | | |
|---------------------------|-----------------------------|-------------------------|-----------------------|-------------------------------|
| Rated power | 400W (±5%) | | Luminous Flux | ≥ 4000LM |
| Operating voltage (Freq.) | AC 95~265V, 50/60Hz | DC 43-65v (Rated=48Vdc) | Standard Colour Temp. | 4500K |
| Input Current | 1.8A | 6A~10A | Life Expectancy | 50,000 hours+ |
| Power factor | 0.8 | | | (@ 70% original light output) |
| Protection standard | IP66 | | Warranty | 3 years warranty |
| Operating temperature | -20°C to 40°C | | Dimensions (mm) | 419 x 396 x 300 |
| LED | MICROPLUS LED (120~130Lm/w) | | Mount height (m) | ≥7m |
| | 100W(±5%), x4pcs, 30~36Vdc | | Lens beam | Rectangular beam X=110° Y=50° |
| Driver Brand | CLG 150W x 3pcs | PROMAC 150W DC x 3pcs | Weight (kg) | 14.8 |



Lens B1 Optics Beam Angle: 45°

| | 400W | 450W | 500W | 600W |
|-----|-------|-------|-------|-------|
| 2m | 11361 | 12783 | 14201 | 17041 |
| 3m | 4895 | 5507 | 6119 | 7342 |
| 5m | 1685 | 1895 | 2106 | 2527 |
| 10m | 400 | 450 | 500 | 600 |
| 15m | 175 | 197 | 218 | 262 |
| 20m | 97 | 110 | 122 | 146 |
| 25m | 62 | 70 | 78 | 93 |

at Centre (lux) Polar Distribution

Lens B Optics Beam Angle: X=120° Y=45°

| | 400W | 450W | 500W | 600W |
|-----|------|------|------|------|
| 2m | 5122 | 5762 | 6402 | 7683 |
| 3m | 2053 | 2310 | 2566 | 3080 |
| 5m | 691 | 777 | 863 | 1036 |
| 10m | 164 | 184 | 205 | 245 |
| 15m | 71 | 80 | 89 | 107 |
| 20m | 40 | 45 | 50 | 60 |

at Centre (lux) Polar Distribution

Lens E1 Optics Beam Angle: 85°

| | 400W | 450W | 500W | 600W |
|-----|------|------|------|------|
| 2m | 5410 | 6087 | 6763 | 8116 |
| 3m | 2220 | 2498 | 2775 | 3330 |
| 5m | 740 | 832 | 925 | 1110 |
| 10m | 174 | 196 | 218 | 261 |
| 15m | 76 | 85 | 95 | 114 |
| 20m | 42 | 48 | 53 | 63 |

at Centre (lux) Polar Distribution

Certification

SAA certification
AS/NZS IEC 61347.2.13:2013

Lamp control gear - Particular requirements for DC. or AC supplied electronic control gear for LED modules (IEC 61347-2-13, Ed.1.0 (2006) MOD)

AS/NZS 60598.2.5:2002

Luminaires - Particular requirements - Floodlights (IEC 60598.2.5:1998, MOD)



Certified for use
in EU countries



ACMA technical
standards
compliant



ISO 9001
Production
Management
Systems



lead-free



RoHS
2002/95/EC

No harmful
substances

Specification subject to change

In keeping with our policy of continuous improvement, PROMAC reserves the right to modify our designs and specifications at any time, without notice.

INTERNATIONAL OFFICE

A: 60 Kumall Road, Welshpool WA 6106 | T: +61 8 6254 1800
E: sales@promacinternational.com | W: www.promacinternational.com



www.promacinternational.com