

NUGEN S250CS GENERATING SET



PARTS MANUAL



PROMAC. LEADING THE WAY.



GENERATING SET

SC series

S250CS

Edition	A
Date	9.2010

Parts List

Content table

Foreword 1

1. Generator set assembly 2

2. Soundproof bonnet assembly 4

3. Control cabinet assembly 6

4. Control panel assembly 8

5. Engine & Alternator assembly 10

6. Base tank assembly 12

7 Wiring harness 14

 7.1 Wiring cable 14

 7.2 Wiring 16

Foreword

This parts manual contains the parts for the Engine-Driven AC Generator Model S250CS.

When ordering parts or requesting service information, you will always be asked to specify the following details:

1. Model Number and Serial number.
2. Part Number and Description.
3. Quantity required.

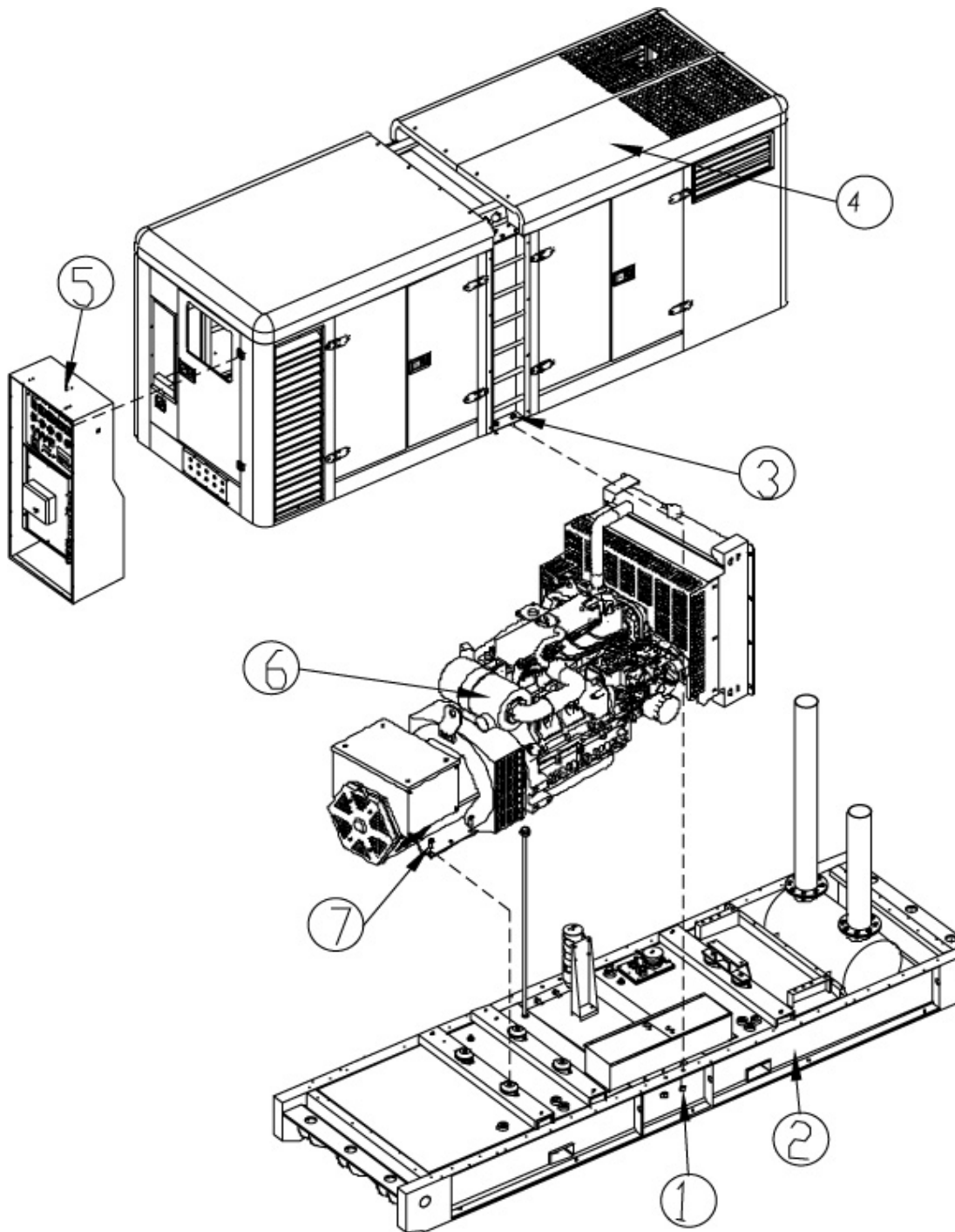
The parts manual is sequenced by machine structure. Each group of parts has an illustration on the first page and a part list on the adjoining page. Parts can then be identified by cross referencing the number on the illustration with the number in the left hand column of the parts manual.

Promac Sales Pty Ltd reserves the right to change any portion of this information without notice.

This manual is not to be reproduced in any form or by any means without the express written approval of Promac Sales Pty Ltd.

Copyright 2010 Promac Sales Pty Ltd.

1. Generator set assembly

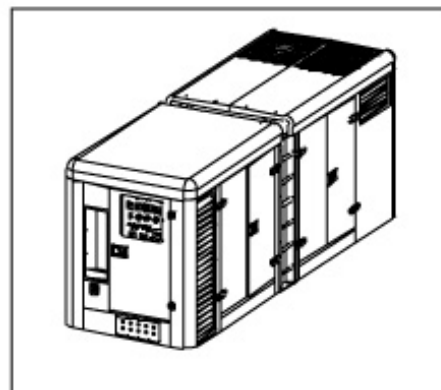
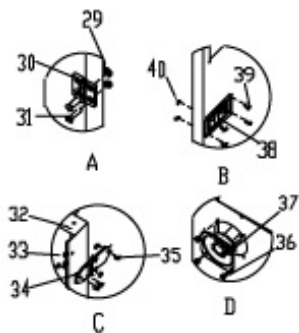
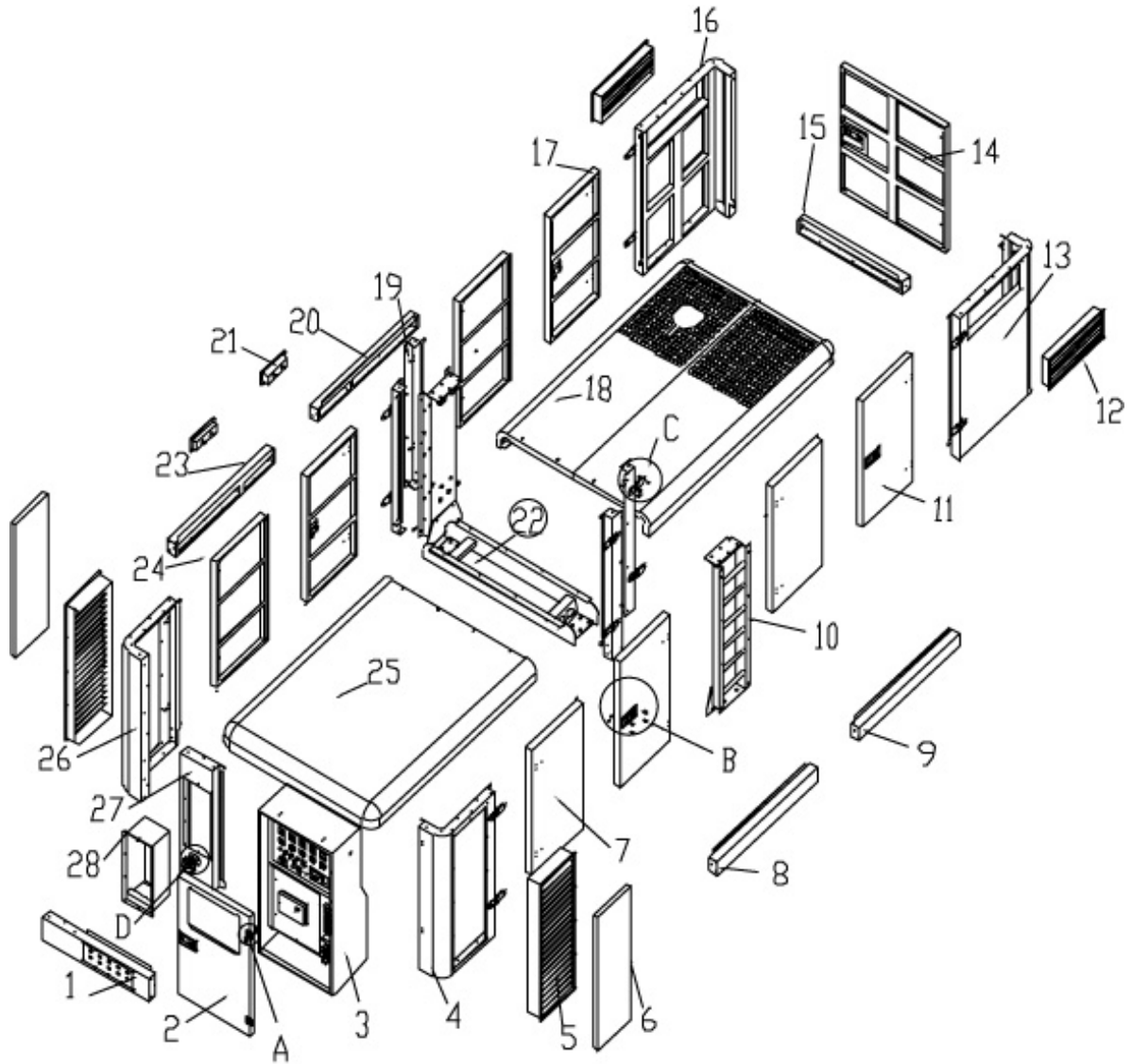


NUGEN PART LIST



Ref.	Part No.	Description	Qty.	Dimension
1	6012003	Hexagon flange nut	10	M18
2	15351418-2	Base tank assembly	1	
3	6011022	Hexagon head bolts	10	M18x40
4	15351418-3-01	Soundproof bonnet assembly	1	
5	6010011	Control cabinet assembly	1	
6	4010023	Engine & Alternator assembly	1	
7	15351418-3-03	Hexagon head bolts	6	M18X40

2. Soundproof bonnet assembly

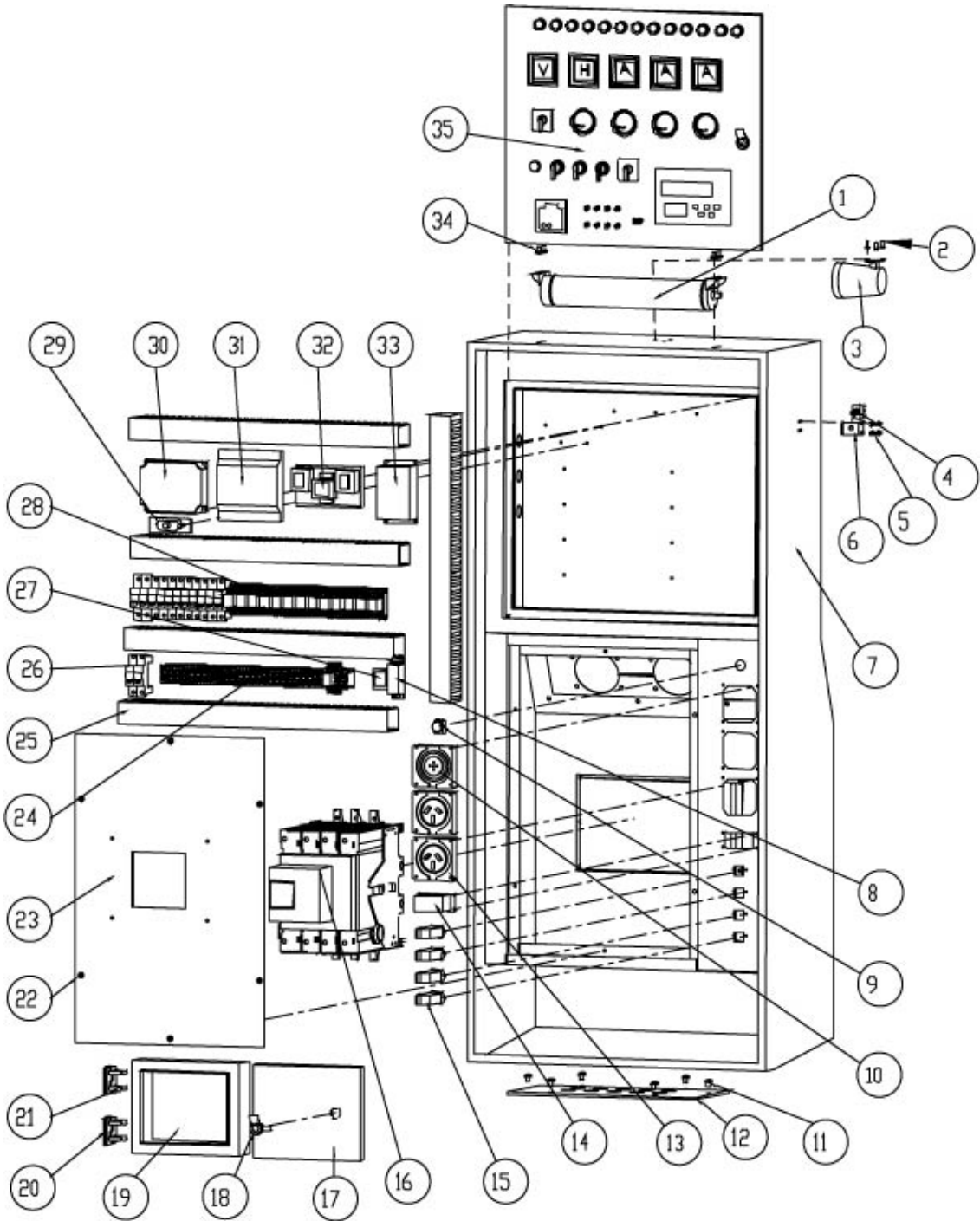


NUGEN PART LIST



Ref No	Part No.	Description	Qty.	Dimension
1	54001101	Control box beam, lower	1	
2	4010044	Electrical cabinet door	1	
3	6010000	Control cabinet assembly	1	
4	6013000	Electric ball-side column right	1	
5	6010003	Air inlet guide cover	2	
6	3070000	Cotton dust, inlet side	2	
7	6010003	Side door plank, right	2	
8	98765	Cover side beams, lower, left,	1	
9	54001112	Cover side beams, right	1	
10	540011013	Lift Panel	2	
11	6013000	Side door plank, right, rear	2	
12	6010003	Air damper road	2	
13	5070153	Air side of beams, right	1	
14	6010011	Air-side plank	1	
15	540011082	Air-side, lower	1	
16	54001102	Air side of beams, left	1	
17	6010013	Side door plank	2	
18	5051000	Roof Panel, right	1	
19	6012012	Hanger side pillar, right	2	
20	6012009	Cover side beams, right	1	
21	6010011	External into oil passage	2	
22	4010046	Lift Beam	1	
23	6012009	Cover side beams, left	1	
24	6013000	Side door plank, left	2	
25	6012061	Roof Panel .left	1	
26	5070153	Electric ball-side column ,left	1	
27	5400110	Control box side pillar, left	1	
28	6013000	Fire extinguisher placed framework	1	
29	6012010	Hexagon nuts grade C	8	M6-N
30	5400110	Hinge	2	40X40
31	5070001	Cross recessed CISK wood screws	8	M8X40-N
32	6012345	Hanger side pillar, left	2	
33	60548615	Hexagon nuts grade	108	M6-N
34	40568415	Hinge	18	
35	50491384	Hexagon head bolts-full thread	108	M6X16
36	60161684	Hexagon head screw plate	4	M6X8-8-N
37	60359148	Emergency stop button	1	
38	120650	Door lock	10	
39	50556514	Hexagon socket button head screw	40	M6x16
40	505612065	Hexagon nuts grade	40	M6

3. Control cabinet assembly

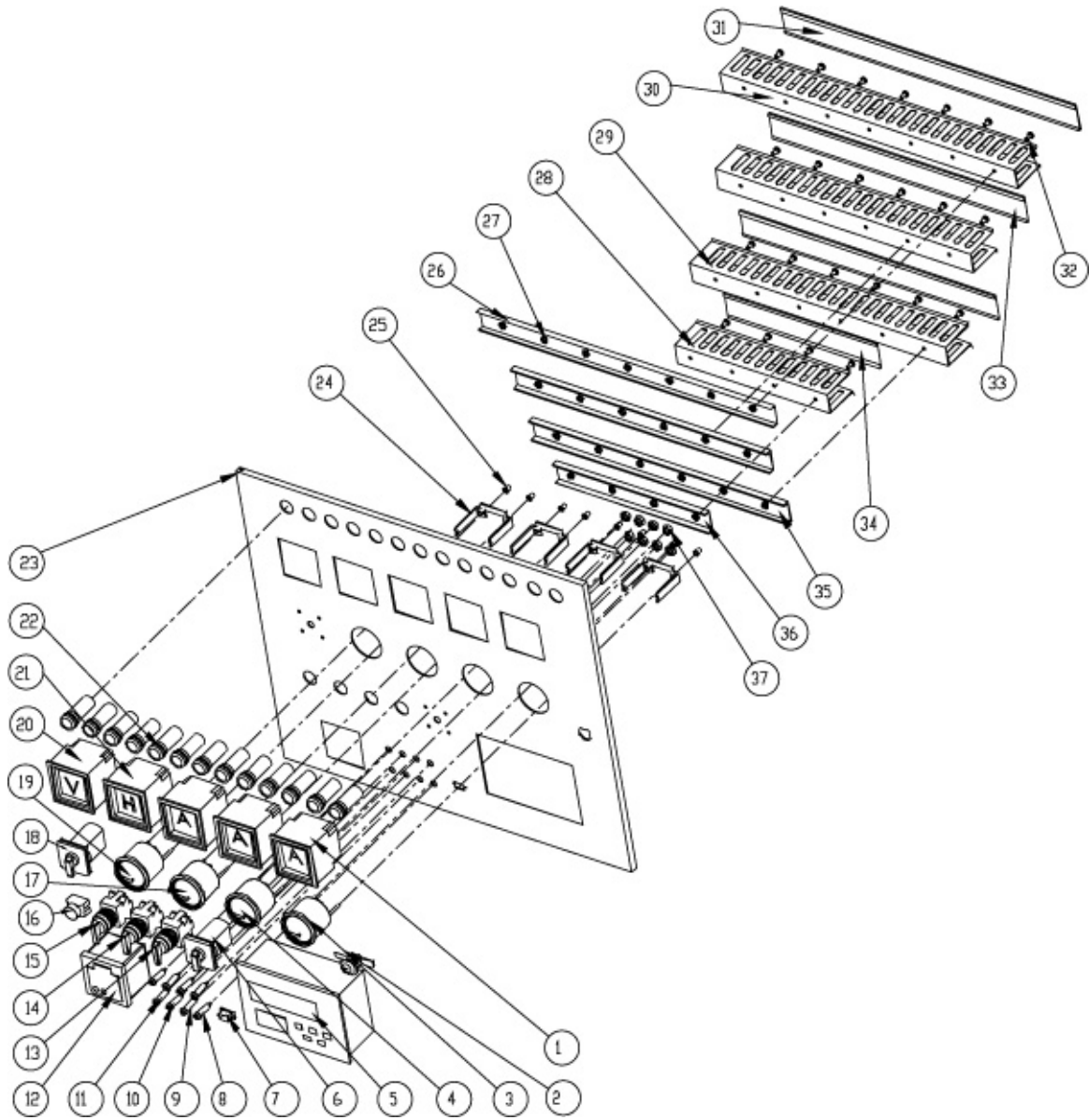


NUGEN PART LIST



Ref No.	Part No.	Description	Qty.	Dimension
1	5012000	Panel light	1	
2	5012002	Cross recessed round head wood screws	3	M4.5X16-N
3	6010005	Horn	1	
4	5012002	Earth leakage protection bypass toggle switch	1	
5	6010003	Slotted pan head screws	4	M5X6-6-N
6	5062003	Slide bracket	1	
7	5062003	Control box	1	
8	54001102-04	IG-AVRI	1	
9	5061003	RCD test button	1	
10	3070000	Five-pin socket	1	
11	5060000	Hexagon lobular socket pan head screws	6	M8X10-10-N
12	5061002	Insulation board	1	
13	6010003	Three-pin socket	2	
14	3082002	Connector (PS1)	1	
15	3082005	Connector (PS2-5)	4	
16	5070141	Circuit Breaker	1	
17	54001102-07	Cover	1	
18	5062000	Door lock	1	
19	5070162	Frame relay	1	
20	5063000	Hinge	2	40X40
21	54001102-06	Cross recessed CISK wood screws	8	M8X40-N
22	5062000	Hexagon lobular socket pan head screws	6	M8X10
23	5060005	Cover	1	
24	5070162	Rail mounted terminal block	84	
25	3082021	Wire tray	5	
26	3082021	MCB	13	
27	3082066	AVRI-TRANS	1	
28	3082019	Relay	12	
29	3082066	5A Diode	1	
30	6010003	EFC speed control unit	1	
31	54001102-12	IS-BIN16/8	1	
32	5062000	IG-MTU	1	
33	5070162	Battery charger	1	
34	6010003	Hexagon lobular socket pan head screws	6	M8X10-10-N
35	3082036	Control panel assembly	1	

4. Control panel assembly

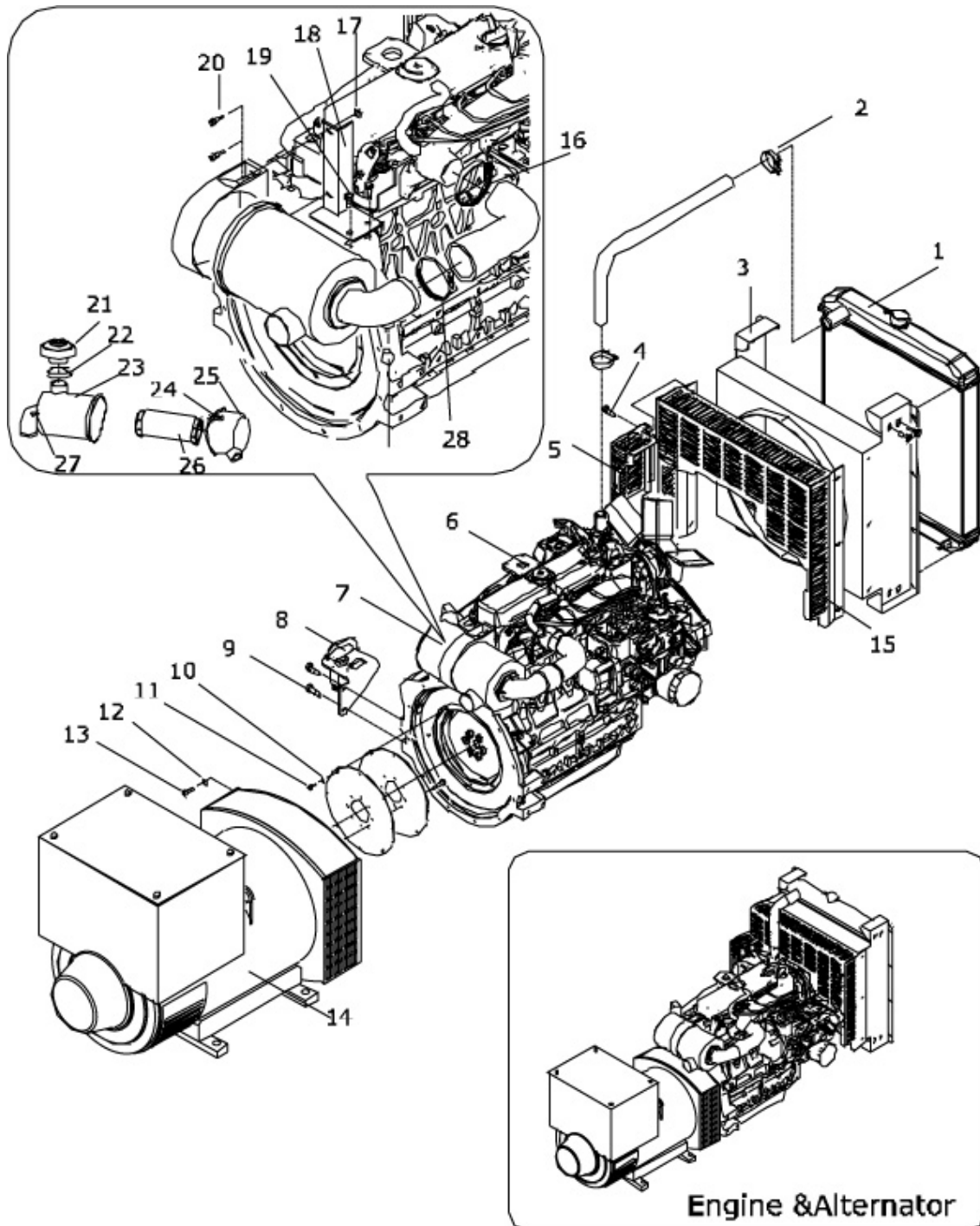


NUGEN PART LIST



Ref No.	Part No.	Description	Qty.	Dimension
1	6010008	Ammeter	3	
2	6013000	Door lock	1	
3	54002102	DC voltage gauge	1	
4	54002102	Fuel level gauge	1	
5	6110302	Gen-set controller	1	IG-NT
6	6010001	Mode selector	1	
7	6012010	Communication port	1	
8	6013001	Test points (black)	2	
9	6013002	Test points (blue)	2	
10	6013003	Test points (white)	2	
11	6013004	Test points (red)	2	
12	5060009	Earth leakage relay	1	
13	4010044	Control power switch	1	
14	6012009	Inside work light switch	1	
15	54002102	Panel light switch	1	
16	6013000	Lamp test button	1	
17	6010008	Oil pressure gauge	1	
18	5070144	AC Voltage selector	1	
19	54002102	Water temperature gauge	1	
20	SC315	AC Voltmeter	1	
21	SC532	Hertz meter	1	
22	SC520	Indicator	13	
23	E/STOP	Control panel	1	
24	6010004	Fixed a meter	5	
25	5070000	Flat head riveted nut	8	M4X9-N
26	6010004	Din rail1	1	TH35-7.5L530
27	0879755	Hexagon weld nut	23	M5-N
28	5400277	Din rail 2	1	TH35-58L274.5
29	6010001	Din rail 2	2	TH35-58L460
30	6012010	Din rail 2	1	TH35-58L530
31	6013000	Cable duct	1	46x3.5x530
32	5400215	Cross recessed thread forming screws	23	M5X10-N
33	5400245	Cable duct	2	46x3.5x460
34	6010008	Cable duct	1	46x3.5x274.5
35	5060009	Din rail1	2	TH35-7.5L460
36	4010044	Din rail1	1	TH35-7.5L274
37	6012009	Hex nuts,style 1-Grades AB	8	M8-N

5. Engine & Alternator assembly

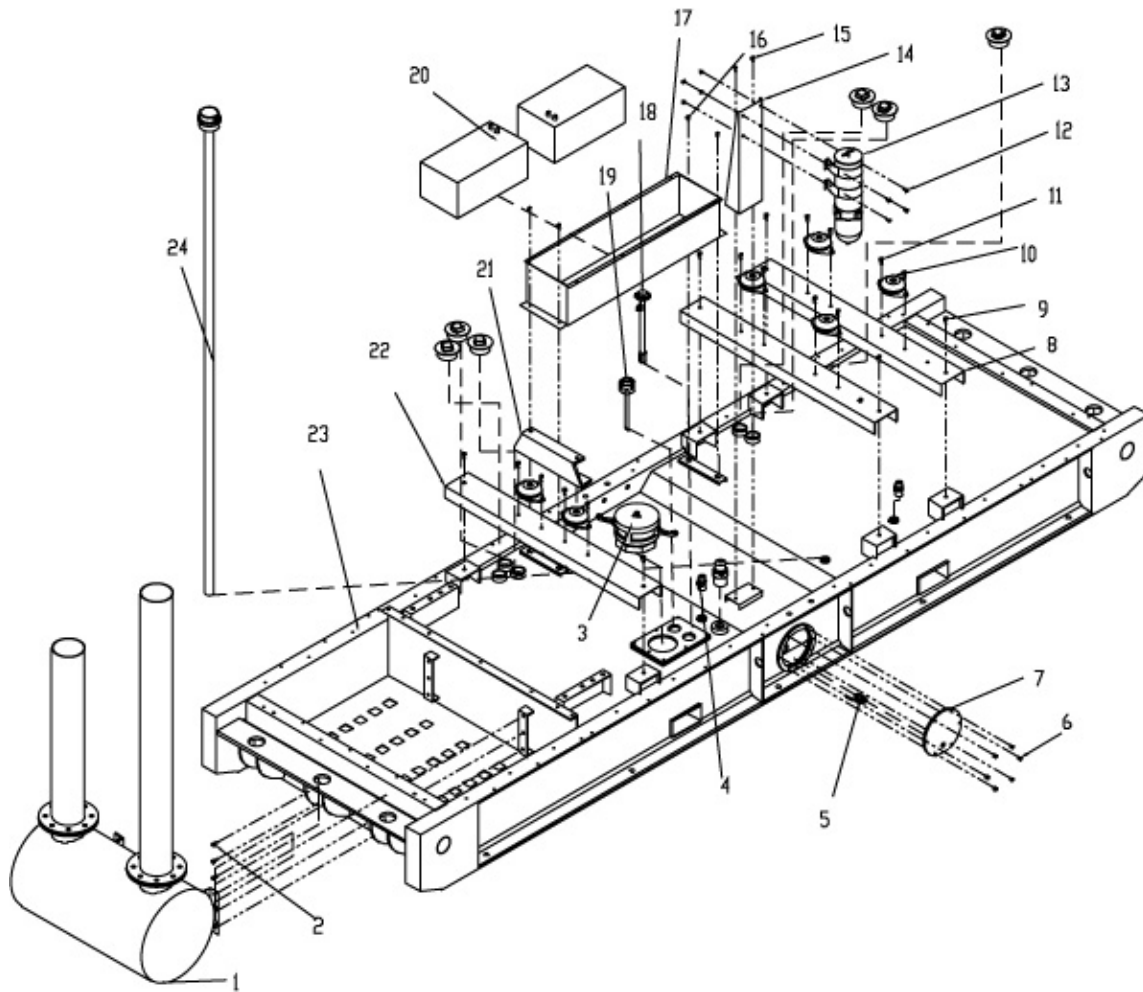


NUGEN PART LIST



Ref. No.	Part No.	Description	Qty.	Dimension
1	2020012	Radiator	1	
2	6014038	Top hose clamp	2	32-44
3	15351418-1-13	Radiator mount	1	
4	6011014	Hexagon flange bolt	2	M6x16
5	15351418-1-15	Fan guard 2	1	
6	3015003	Engine	1	
7	3040003	Air filter assembly	1	
8	4011054	Battery isolator assembly	1	
9	6011024	Hexagon flange bolt	4	M12x20
10	6013001	Flat washer	8	D8
11	6011000	Hexagon bolt	8	M8x16
12	6013002	Flat washer	12	D10
13	6011005	Hexagon bolt	12	M10x35
14	3020005	Alternator	1	
15	15351418-1-14	Fan guard 1	1	
16	6014019	Air intake manifold hose clamp	2	65-70
17	6012002	Hexagon flange nut	2	M8
18	8210170	Air cleaner bracket	1	
19	6011039	Hexagon flange bolt	2	1/2-13 UNC
20	6011071	Hexagon flange bolt	2	M8x20
21	90432	Air inlet cap	1	
22	6014020	Air inlet cap clamp	1	65-70
23	2343243	Air cleaner housing	1	
24	465323	Dust cap clip	1	
25	34645	Dust cap	1	
26	23433	Primary filter	1	
27	254343	Filter indicator	1	
28	6014020	Air filter hose clamp	2	65-70

6. Base tank assembly



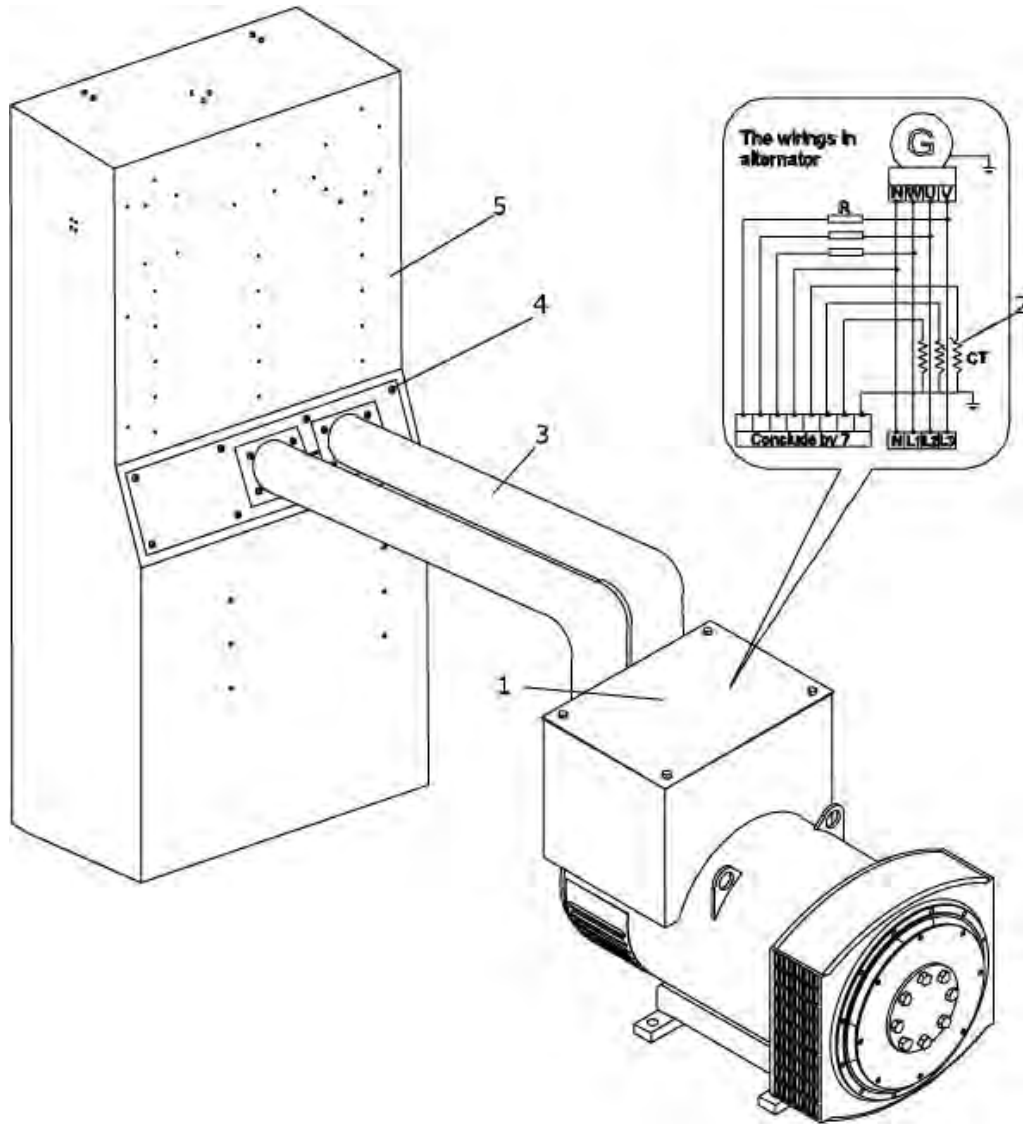
NUGEN PART LIST



Ref. No.	Part No.	Description	Qty.	Dimension
1	15351418-4-01	Muffler	1	
2	6011018	Hexagon flange bolt	6	
3	15351418-2-06	Quick coupling	1	
4	86655	Hydraulic quick coupling	3	DC
5	6020044	Ball valve	1	
6	3453453	Hexagon flange bolt	6	M8x16
7	6011016	Flanges	1	
8	30105004	Generator stents	3	
9	67545	Hexagon head bolts-full thread	12	M10X25-N
10	4021020	Anti vibration mounts	6	
11	6011028	Hexagon head bolts-full thread	12	M10X25
12	6011020	Hexagon head bolts-full thread	4	M8x20-N
13	4021020	Fuel-water separator	1	
14	15351418-2-03	Fuel-water separator stents	1	
15	15351418-2-01	Hexagon head bolts-full thread	2	M8x20
16	6020031	Hexagon head bolts-full thread	4	M8x16-N
17	4020101	Battery box	1	
18	153168465	Fuel level sensor	1	
19	153514185444	Mechanical fuel gauge	1	
20	5065000	200AH Battery	2	
21	6014002	Engine support	1	
22	6014001	Engine support	1	1330X160X70
23	15351418-2	Base tank assembly	1	
24	30105004	Immersion filter	1	

7 Wiring harness

7.1 Wiring cable

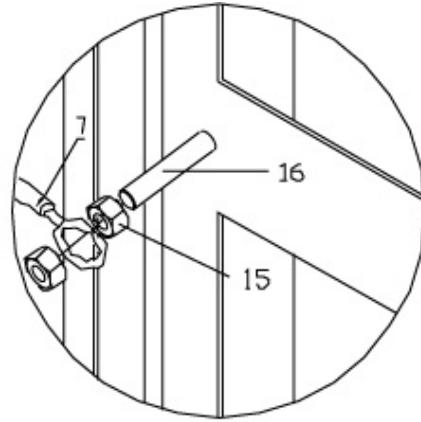
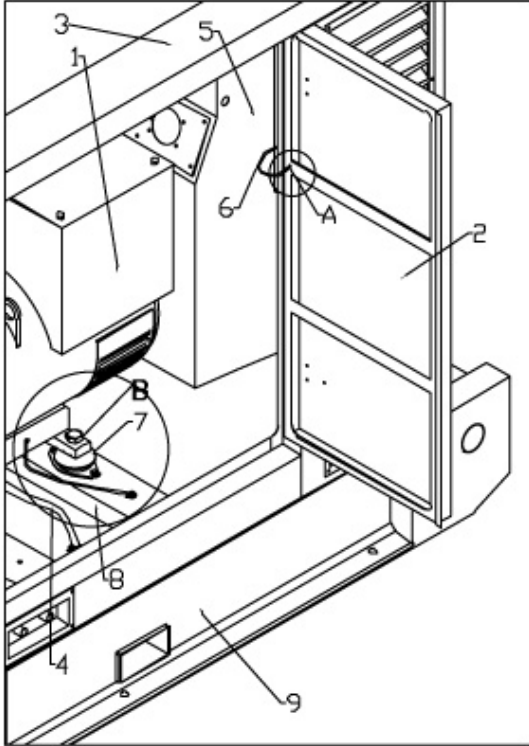


NUGEN PART LIST

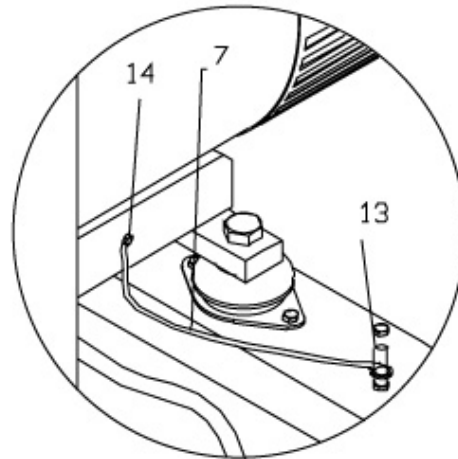


Ref. No.	Part No.	Description	Qty.	Dimension
1	54002110	Field wiring cabinet assembly	1	
2	5053000	Current transformer	3	
3	5053077	Conduit	2	
4	5053074	Hexagon socket button head screws	16	M6X10
5	6010011	Control cabinet assembly	1	

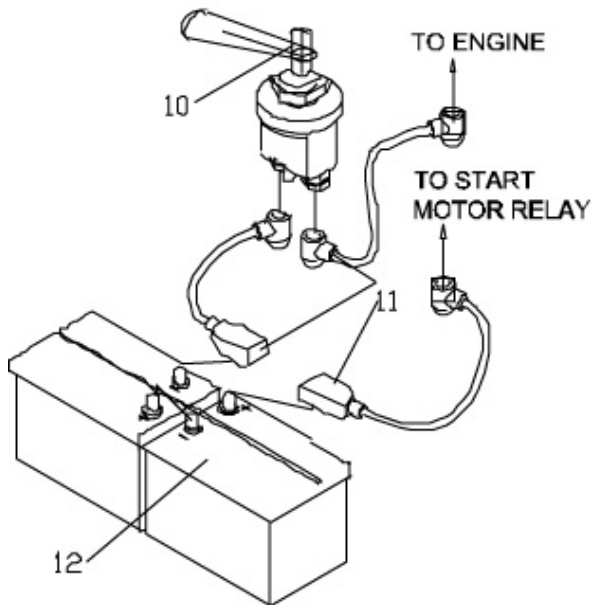
7.2 Wiring



A



B



NUGEN PART LIST



Ref. No.	Part No.	Description	Qty.	Dimension
1	3020005	Alternator	1	
2	769898	Access door, left	1	
3	986654	Top panel ,left	1	
4	2191000	Fuel pipe	1	
5	54001110	Control cabinet assembly	1	
6	2191000	Earth cable	1	10mm2x750mm
7	2193000	Earth cable	1	25mm2x800mm
8	45754687	Alternator mounting bracket	1	
9	15351418-2-01	Base	1	
10	60270004	Battery isolator	1	
11	2180000	Battery Wiring assembly	1	
12	5065000	Battery	2	200AH
13	2191000	Earth cable	1	M6x10
14	6011020	Hexagon flange bolt	1	M10x25-N
15	6012003	Hexagon flange nut	2	M6
16	6011022	Hexagon flange bolt	1	M6x10

Promac Sales

Email: sales@promac.net.au

Phone: +61 8 6254 1800

Fax: +61 8 6254 1899

Office: 11 Poole Street, Welshpool,

Western Australia, 6106

Postal Address: PO Box 538, Welshpool,

Western Australia, 6986

PROMAC. LEADING THE WAY.

